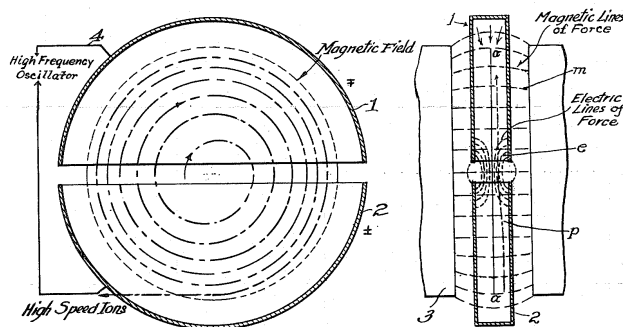
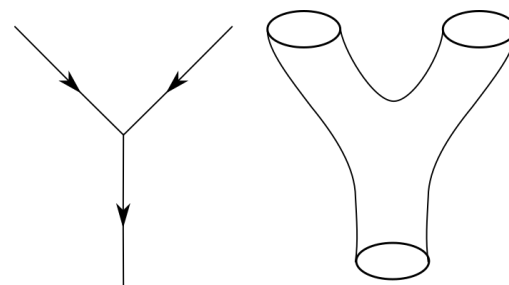
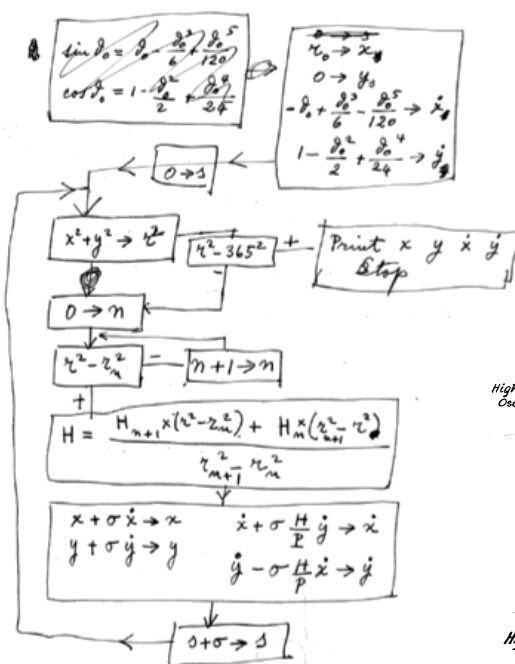
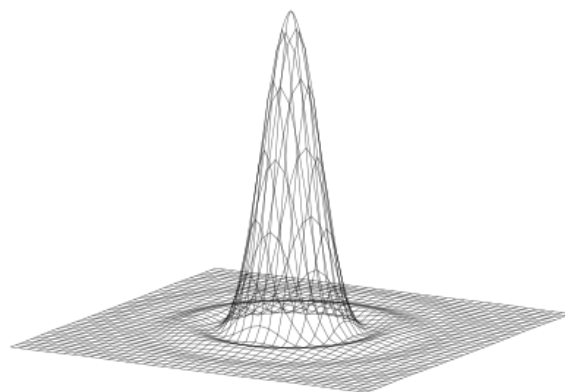
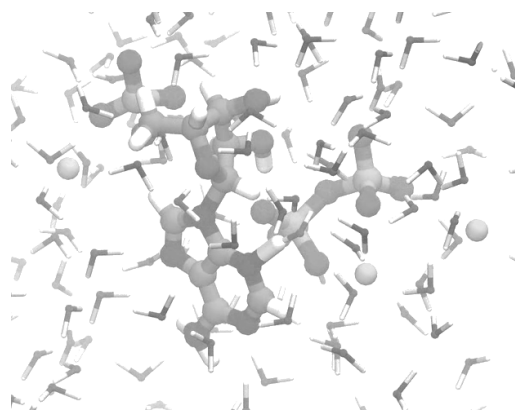


The XXIX<sup>th</sup> IUPAP Conference on Computational Physics

# CCP2017

## Book of abstracts



# List of posters

## Astrophysics

- P1. Propagation of Dust-Ion Acoustic (DIA) waves in multi-species plasma with Cairn's distributed electrons, quantum effects in inertia less electrons and ions  
*Kalita Bhaben Chandra, Das Samiran*
- P2. Investigation of dust ion acoustic (DIA) solitons in multicomponent plasma with relativistic ions and Cairns distributed electrons  
*Das Samiran, B.C. Kalita*
- P3. The role of the order of perturbation and its determination in the process of enforcing discrete Korteweg-de-Vries solitons to modified Korteweg-de-Vries solitons as means of continuum hypothesis in a multi component dusty plasma  
*Kalita Bhaben*
- P4. Complexity Cmp and Time's Arrow  
*Rajilic Zoran*

## Nuclear, Particle and Fields Physics

- P5. Computational studying energy and spectral parameters of hadronic (pionic) atoms with account of the strong pion-nuclear interaction  
*Dubrovskaya Yuliya*
- P6. Computational studying the hyperfine and electroweak interaction and parity violation in heavy finite Fermi-systems: Advanced Code  
*Khetselius Olga*
- P7. Confinement and Chiral Phase Transition in Dual QCD Formulation.  
*Punetha Garima*
- P8. SU(3) Dual QCD formulation and quark-hadron phase transition  
*Punetha Garima*
- P9. Implications of general lepton mass matrices in the standard model for Neutrinoless Double Beta Decay parameter  $m_{ee}$   
*Sharma Samandeep*

## Atomic, Molecular and Optical Physics

- P10. Advanced computational approach to studying Rydberg and autoionization resonances in spectra of heavy lanthanides and actinides  
*Ternovsky Valentin*
- P11. Advanced computational approach to nonlinear dynamics of laser systems with elements of a chaos  
*Ternovsky Valentin*
- P12. Advanced relativistic model potential approach to computing the radiation transition characteristics for atoms and multicharged ions  
*Buyadzhi Vasily*
- P13. Advanced computational approach in electron-collisional spectroscopy of atoms and multicharged ions in plasmas  
*Buyadzhi Vasily*
- P14. Cooperative laser electron-gamma-nuclear phenomena in dynamics and spectroscopy of molecules: Advanced Computational Code  
*Glushkov Alexander*
- P15. New relativistic computational energy approach to heavy Fermi-systems in a super strong field: AC Stark and multi-photon resonances  
*Glushkov Alexander*
- P16. Advanced computational code to « shake-up » and NEET effects in laser electron-gamma-nuclear spectroscopy of atoms and ions  
*Khetselius Olga*
- P17. Modulation of Intense Femtosecond Laser Pulse by a strong magnetic field  
*Shu Xiaofang*
- P18. Superexchange Interatomic Coulombic decay by Fano-ADC-Stieltjes method  
*Votavov Petra*
- P19. Projectile Charge Effect on Electron and Positron Impact Single Ionization Cross Sections of Plasma Relevant Molecular Targets  
*Singh Prithvi*
- P20. Computer simulation of the interaction of fullerene with nanographene  
*Stelmakh Vasily*
- P21. Ab- initio calculation of the electronic gap, the refractive index of (PbTe), (SrTe) and Lead strontium telluride alloys (Pb<sub>1-x</sub>Sr<sub>x</sub>Te).  
*Sifi Chahra, Chouit Fairouz, Sifi Chahra*

## Quantum Many Body Physics

- P22. Quantum phase transition in a three-dimensional dimerized Heisenberg model on a corundum lattice  
*Miyahara Shin*
- P23. Enhancement of superconducting correlations by charge and spin ordering in coupled electron and spin systems  
*Farkasovsky Pavol*
- P24. Quantum Monte Carlo calculations of elastic properties of one-dimensional carbon chain  
*Hong Luegyun*
- P25. Determination of energies and wave functions of a quantum many-body system by the finite difference time domain (FDTD) with the Hartree Fock (HF) approximation  
*Sudiarta I Wayan*
- P26. Prediction of electronic and optical properties of ZnAl<sub>2</sub>Te<sub>4</sub> defect chalcopyrite semiconductor: an ab-initio study  
*Tripathy Susanta Kumar*

## Classical Statistical Mechanics

- P27. Coarse analysis of non-equilibrium collective phenomena: Bifurcation analysis of the optimal velocity model using diffusion maps  
*Sugiyama Yuki*
- P28. Monte Carlo Study of a Three States Spin Model  
*Luque Luciana*
- P29. Study of the kinetic effects in homogeneous and heterogeneous bubble cavitation via atomistic simulations  
*Marchio Sara*
- P30. The SAPBC method on local, non-cluster updates algorithms of Monte Carlo simulation: A study on more convergence of spin correlation at critical temperature.  
*Najafi Amin*
- P31. Fast customization of the Wang Landau parallel algorithm for the different lattices  
*Arman Kussainov*
- P32. Mean squared displacement of dust particles in 2-dimensional strongly coupled Yukawa liquids exposed to an external magnetic field  
*Masheyeva Ranna*

## Fluid Dynamics: from Macro- to Nano- fluidics

- P33. Multiple eigen-modes of Rayleigh-Taylor instability observed for a smoothly varying density fluid interface  
*Yu Chengxin*
- P34. Ion acoustic solitary waves with high relativistic thermal ions and non-thermal electrons and thermal positrons in plasma  
*Das Ranjan*
- P35. Computational Model Of Calcium And IP3 Dynamics: A Finite Difference Method Approach  
*Singh Nisha*

## Chemical Physics

- P36. DFT Computational and Spectroscopic Investigations on The Cyanide Bridged Heteronuclear Polymeric Complex: [Cd(N-Meim)<sub>2</sub>Ni(μ-CN)<sub>4</sub>]<sub>n</sub>  
*Kurkcuoglu Gunes Suheyla*
- P37. High performance and low complexity algorithm for MP2 calculations in solids  
*Schäfer Tobias*
- P38. Statistical vs non-statistical effects and the importance of the activation method in unimolecular fragmentation of peptides via chemical dynamics simulations  
*Macaluso Veronica*
- P39. Fully quantum description of the Zundel ion: combining variational quantum Monte Carlo with path integral Langevin dynamics  
*Mouhat Félix*
- P40. Molecular, vibrational, electronic structure and nonlinear optical properties of 1-ethylimidazole  
*Kurkcuoglu Gunes Suheyla*

P26: Prediction of electronic and optical properties of ZnAl <sub>2</sub> Te <sub>4</sub> defect chalcopyrite semiconductor: an ab-initio study, Rishikanta Mayengbam [et al.] . . . . .	223
P27: Coarse analysis of non-equilibrium collective phenomena: Bifurcation analysis of the optimal velocity model using diffusion maps, Yasunari Miura [et al.] . . . . .	224
P28: Monte Carlo Study of a Three States Spin Model, Luciana Luque [et al.] . . . . .	225
P29: Study of the kinetic effects in homogeneous and heterogeneous bubble cavitation via atomistic simulations, Sara Marchio . . . . .	226
P30: The SAPBC method on local, non-cluster updates algorithms of Monte Carlo simulation: A study on more convergence of spin correlation at critical temperature., Amin Najafi [et al.] . . . . .	227
P31: Fast customization of the Wang Landau parallel algorithm for the different lattices, Kussainov Arman . . . . .	228
P32: Mean squared displacement of dust particles in 2-dimensional strongly coupled Yukawa liquids exposed to an external magnetic field, Ranna Masheyeva [et al.] . . . . .	229
P33: Multiple eigen-modes of Rayleigh-Taylor instability observed for a smoothly varying density fluid interface, Chengxin Yu [et al.] . . . . .	230
P34: Ion acoustic solitary waves with high relativistic thermal ions and non-thermal electrons and thermal positrons in plasma, Ranjan Das . . . . .	231
P35: Computational Model Of Calcium And IP3 Dynamics: A Finite Difference Method Approach, Nisha Singh [et al.] . . . . .	232
P36: DFT Computational and Spectroscopic Investigations on The Cyanide Bridged Heteronuclear Polymeric Complex: [Cd(N-Meim) <sub>2</sub> Ni( $\mu$ -CN) <sub>4</sub> ] <sub>n</sub> , Gunes Suheyila Kurkcuoglu [et al.] . . . . .	233
P37: High performance and low complexity algorithm for MP2 calculations in solids, Tobias Schäfer [et al.] . . . . .	234
P38: Statistical vs non-statistical effects and the importance of the activation method in unimolecular fragmentation of peptides via chemical dynamics simulations, Veronica Macaluso [et al.] . . . . .	235
P39: Fully quantum description of the Zundel ion: combining variational quantum Monte Carlo with path integral Langevin dynamics, Félix Mouhat [et al.] . . . . .	237

# P32: Mean squared displacement of dust particles in 2-dimensional strongly coupled Yukawa liquids exposed to an external magnetic field

Ranna Masheyeva \* <sup>1</sup>, Karlygash Dzhumagulova <sup>1</sup>, Tlekkabul Ramazanov <sup>1</sup>, Zoltan Donkó <sup>2</sup>, Peter Hartmann <sup>2</sup>

<sup>1</sup> IETP, al Farabi KazNU – Kazakhstan

<sup>2</sup> Wigner Research Centre of the Hungarian Academy of Sciences – Hungary

In various physical settings complex plasmas are affected by external electric and magnetic fields. In particular, the influence of magnetic fields on strongly coupled dusty plasmas became an important topic in the last few years [1,2].

The purpose of this work is to investigate the mean squared displacement of the dust particles exposed to a static homogeneous external magnetic field, under the effect of friction due to the presence of a neutral background gas. Computer simulations of the motion of the dust particles, interacting via a Yukawa potential (characterized by a screening parameter  $\kappa$ ), have been carried out based on the Langevin equation of motion, which takes into account the influence of buffer gas/plasma environment on the dust particles' dynamics. The robust second-order Velocity-Verlet propagation scheme [3], obtained with taking into account an external magnetic field and background gas, was used in order to solve the equations of motion of the particles. The mean squared displacements of the particles were investigated in the wide region of the four dimensionless parameters: the coupling parameter, the screening parameter, the magnetic field strength expressed as the ratio of the cyclotron to plasma frequency, and the friction coefficient.

[1] P. Hartmann, Z. Donkó, T. Ott, H. Káhlert, and M. Bonitz, Phys. Rev. Lett., 2013, 111, 155002

[2] M. Bonitz, Z. Donkó, T. Ott, H. Káhlert, and P. Hartmann, Phys. Rev. Lett., 2010, 105, 055002

[3] K. N. Dzhumagulova, T.S. Ramazanov, 28th IUPAP Conference on Computational Physics, South Africa, 2016, P. 56.

---

\*Speaker